

---

# 8 Parts and diagrams

- [Order parts, accessories, and supplies](#)
- [Part numbers](#)
- [Screws](#)
- [How to use the parts lists and diagrams](#)
- [External covers, panels, and doors](#)
- [Internal components](#)
- [Alphabetical parts list](#)
- [Numerical parts list](#)

## Order parts, accessories, and supplies

You can obtain the following items directly from HP:

- **Replacement parts:** To order replacement parts in the U.S., go to [www.hp.com/go/hpparts](http://www.hp.com/go/hpparts). Outside the United States, order parts by contacting your local authorized HP service center.
- **Supplies and accessories:** To order supplies in the U.S., go to [www.hp.com/go/ljsupplies](http://www.hp.com/go/ljsupplies). To order supplies worldwide, go to [www.hp.com/ghp/buyonline.html](http://www.hp.com/ghp/buyonline.html). To order accessories, go to [www.hp.com/support/ljp2050series](http://www.hp.com/support/ljp2050series) or [www.hp.com/support/ljp2030series](http://www.hp.com/support/ljp2030series) .

## Part numbers

The following list of accessories was current at the time of printing. Ordering information and availability of the accessories might change during the life of the product.

### Paper-handling accessories

Item	Description	Part number
Optional 500-sheet tray and feeder unit	Optional tray to increase paper capacity.	CE464A

### Print cartridges

Item	Description	Part number
HP LaserJet print cartridge	Standard-capacity cartridge	CE505A
	High-capacity cartridge	CE505X

### Memory

Item	Description	Part number
44 x 32-pin DDR2 memory DIMM (dual inline memory module)	32 MB	CB420A
	64 MB	CB421A
Boosts the ability of the product to handle large or complex print jobs.	128 MB	CB422A
	256 MB	CB423A


### Cables and interfaces

Item	Description	Part number
HP Jetdirect external print server accessories	HP Jetdirect en1700	J7942G
	HP Jetdirect en3700	J7942G
	HP Jetdirect ew2400 USB wireless print server	J7951G
	HP Jetdirect 175x	J6035G
	HP USB network print adapter	Q6275A (worldwide)
	HP wireless printing upgrade kit	Q6236A (North America) Q6259A (Europe, Middle East, Africa, and Asia-Pacific countries/regions)
USB cable	2-meter A to B cable	C6518A


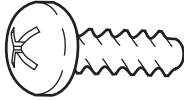

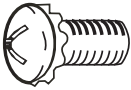
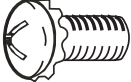
## Whole unit replacement

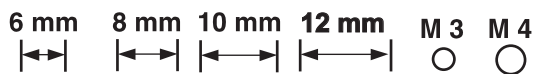
Product	Model	Voltage	Description	Part number
HP LaserJet P2035	CE461A	110 V	Exchange engine with formatter	CE461-69001
HP LaserJet P2035	CE461A	220 V	Exchange engine with formatter	CE461-69002
HP LaserJet P2035n	CE462A	110 V	Exchange engine with formatter	CE462-69001
HP LaserJet P2035n	CE462A	220 V	Exchange engine with formatter	CE462-69002
HP LaserJet P2055d	CE457A	110 V	Exchange engine with formatter	CE457-69001
HP LaserJet P2055d	CE457A	220 V	Exchange engine with formatter	CE457-69002
HP LaserJet P2055dn	CE459A	110 V	Exchange engine with formatter	CE459-69001
HP LaserJet P2055dn	CE459A	220 V	Exchange engine with formatter	CE459-69002

# Screws

 **NOTE:** The screw illustrations in the following table are for reference only. Screws might vary in size and appearance from those shown in this table.

**Table 8-1 Common fasteners**

Example	Description	Size	Part Number
	Screw, with washer	M3X8	XA9-1420-000CN
	Screw, tapping, truss head	M4X10	XB4-7401-005CN
	Screw, tap	M3X6	XA9-1503-000CN
	Screw, D	M3X8	XA9-1671-000CN
	Screw, tooth washer	M4X6	XB2-7400-606CN



## How to use the parts lists and diagrams

The figures in this chapter show the major subassemblies in the product and their component parts. A parts list table follows each exploded view assembly diagram. Each table lists the item number, the associated part number, and the description of each part. If a part is not listed in the table, then it is not a field replacement unit (FRU).

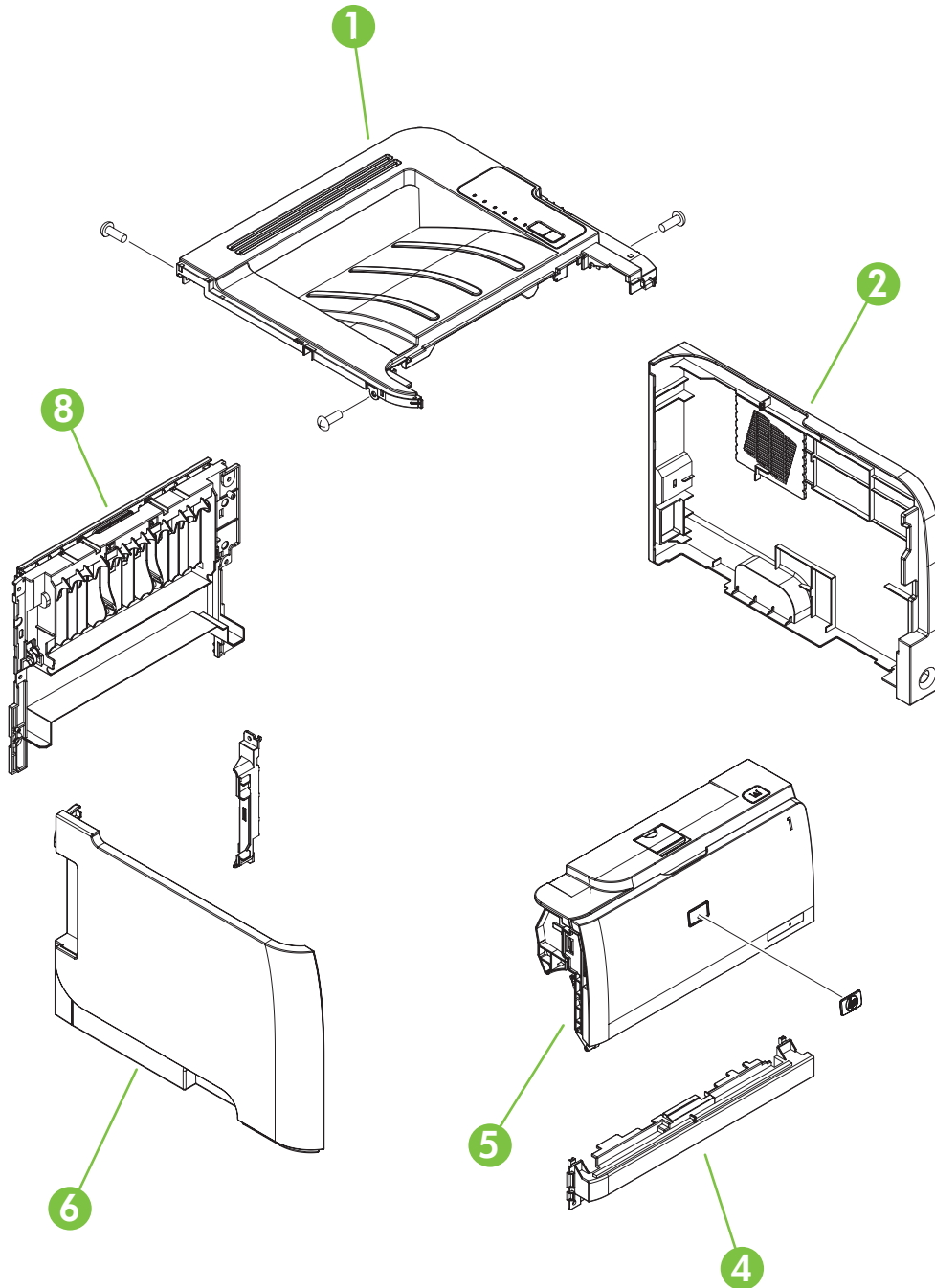
- 
- △ **CAUTION:** Be sure to order the correct part. When looking for part numbers for electrical components, pay careful attention to the voltage that is listed in the description column. Doing so will ensure that the part number selected is for the correct all-in-one model.
- 📄 **NOTE:** In this manual, the abbreviation “PCA” stands for “printed circuit-board assembly.” Components described as a PCA might consist of a single circuit board or a circuit board plus other parts, such as cables and sensors.
-



# External covers, panels, and doors

## HP LaserJet P2035

Figure 8-1 External covers, panels, and doors; HP LaserJet P2035



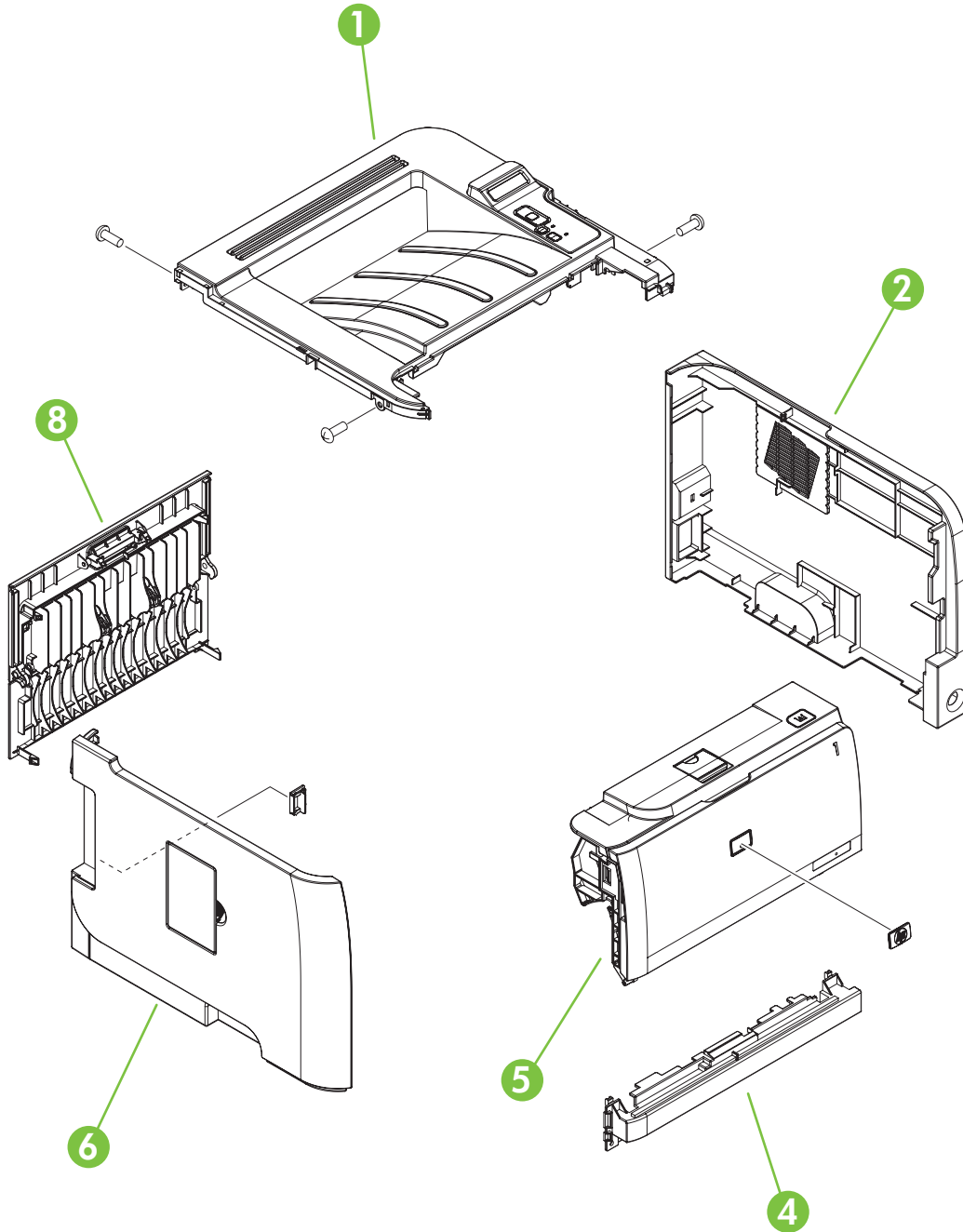


**Table 8-2 External covers, panels, and doors; HP LaserJet P2035**

Ref	Description	Part number	Qty
1	Top-cover assembly (HP LaserJet P2035)	RM1-6435-000CN	1
2	Cover, right (HP LaserJet P2035)	RC2-8280-000CN	1
4	Cover, front (HP LaserJet P2035 and HP LaserJet P2055)	RL1-2124-000CN	1
5	Cartridge-door assembly (HP LaserJet P2035)	RM1-6434-000CN	1
6	Cover, left assembly (HP LaserJet P2035)	RM1-6437-000CN	1
8	Cover, rear assembly (HP LaserJet P2035)	RM1-6440-000CN	1

# HP LaserJet P2055

Figure 8-2 External covers, panels, and doors; HP LaserJet P2055



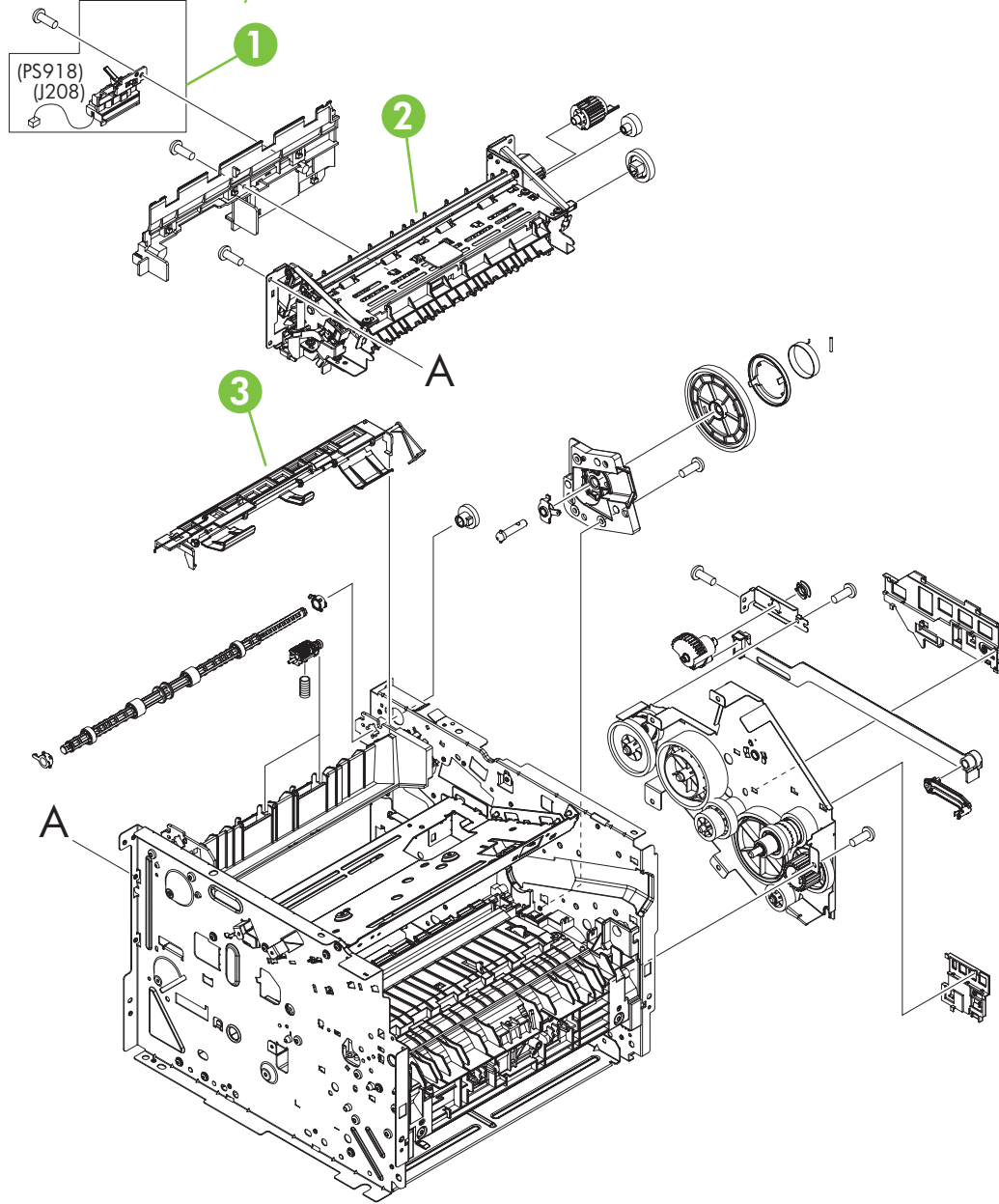
**Table 8-3 External covers, panels, and doors; HP LaserJet P2055**

<b>Ref</b>	<b>Description</b>	<b>Part number</b>	<b>Qty</b>
1	Top-cover assembly (HP LaserJet P2055)	RM1-6429-000CN	1
2	Cover, right (HP LaserJet P2055)	RC2-6254-000CN	1
4	Cover, front (HP LaserJet P2035 and HP LaserJet P2055)	RL1-2124-000CN	1
5	Cartridge-door assembly (HP LaserJet P2055)	RM1-6425-000CN	1
6	Cover, left assembly (HP LaserJet P2055)	RM1-6428-000CN	1
8	Cover, rear assembly (HP LaserJet P2055)	RM1-6444-000CN	1

# Internal components

## Internal components 1 of 5

**Figure 8-3** Internal components 1 of 5  
HPLJ 2050 Series only

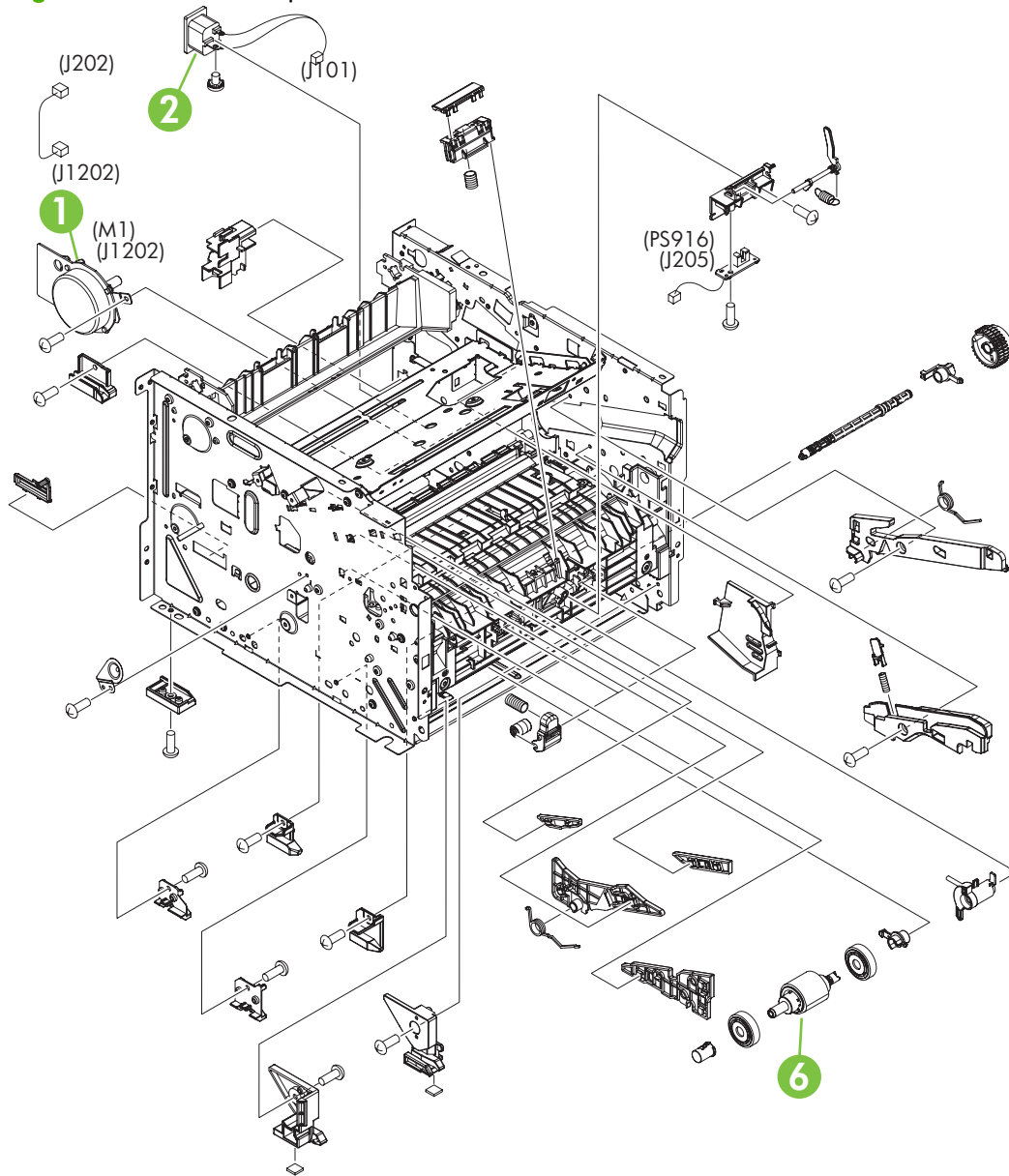


**Table 8-4 Internal components (1 of 5)**

<b>Ref</b>	<b>Description</b>	<b>Part number</b>	<b>Qty</b>
1	Reverse-sensor assembly (HP LaserJet P2055)	RM1-6445-000CN	1
2	Fuser assembly (110 V to 127 V)	RM1-6405-000CN	1
2	Fuser assembly (220 V to 240 V)	RM1-6406-000CN	1
3	Paper-retaining-delivery assembly	RM1-6401-000CN	1

## Internal components 2 of 5

Figure 8-4 Internal components 2 of 5

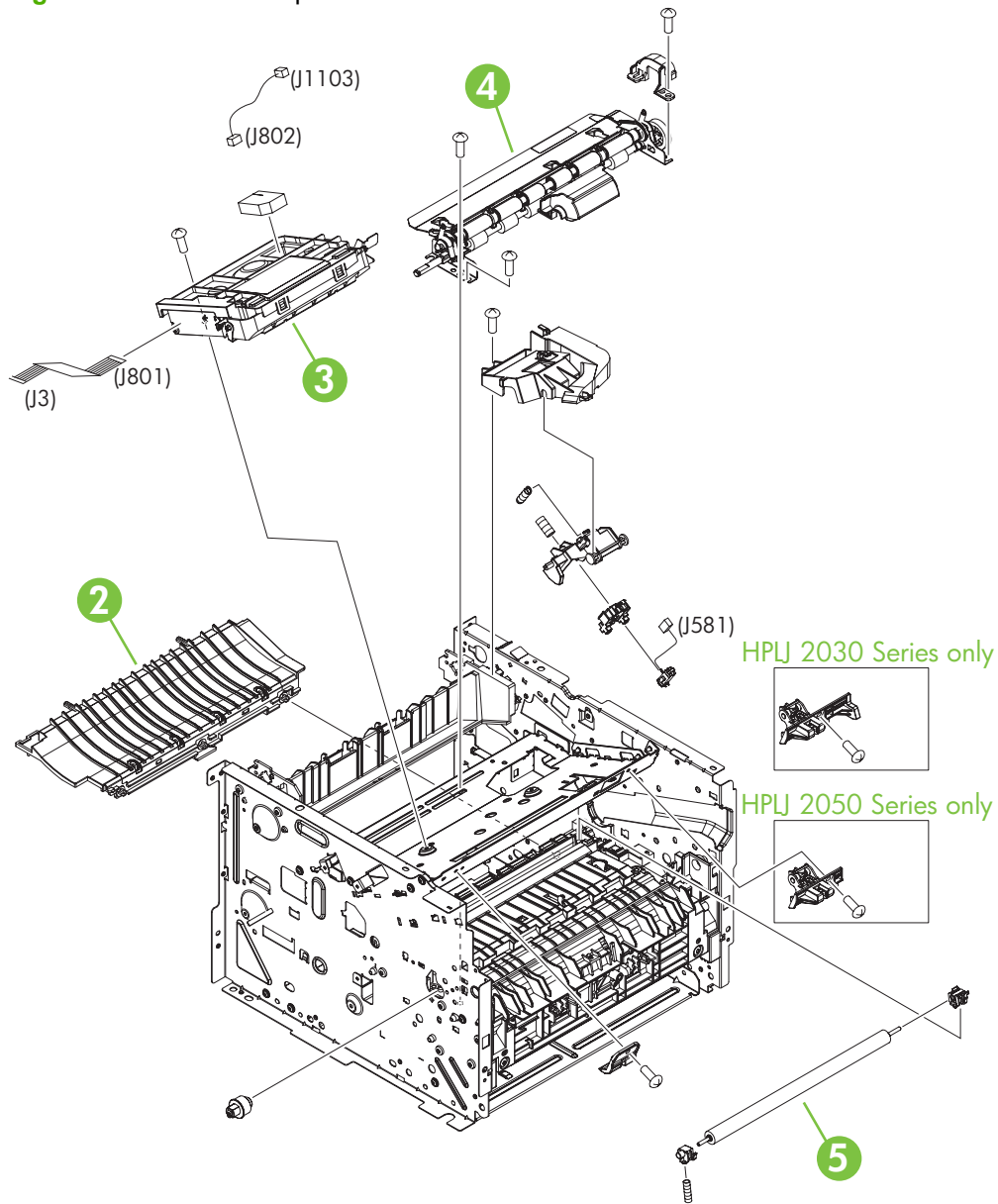


**Table 8-5 Internal components (2 of 5)**

<b>Ref</b>	<b>Description</b>	<b>Part number</b>	<b>Qty</b>
1	Main-motor	RM1-6378-000CN	1
2	Inlet-cable assembly	RM1-6375-000CN	1
6	Paper-pickup roller assembly	RM1-6414-000CN	1

## Internal components 3 of 5

Figure 8-5 Internal components 3 of 5



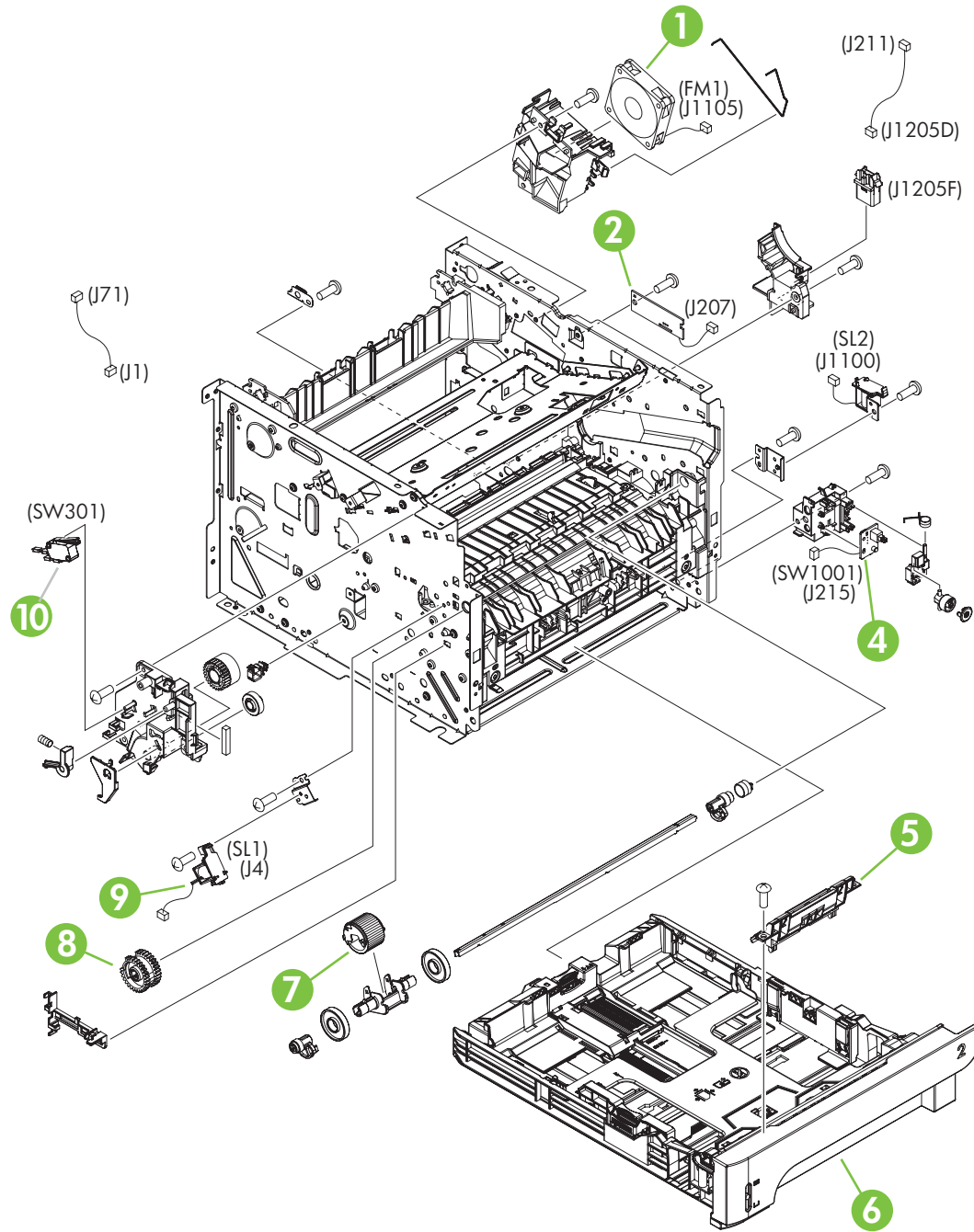


**Table 8-6 Internal components (3 of 5)**

<b>Ref</b>	<b>Description</b>	<b>Part number</b>	<b>Qty</b>
2	Paper-feed-guide assembly	RM1-6402-000CN	1
3	Laser/scanner assembly	RM1-6424-000CN	1
4	Registration assembly	RM1-6419-000CN	1
5	Transfer-roller assembly	RM1-6450-000CN	1

## Internal components 4 of 5

Figure 8-6 Internal components 4 of 5

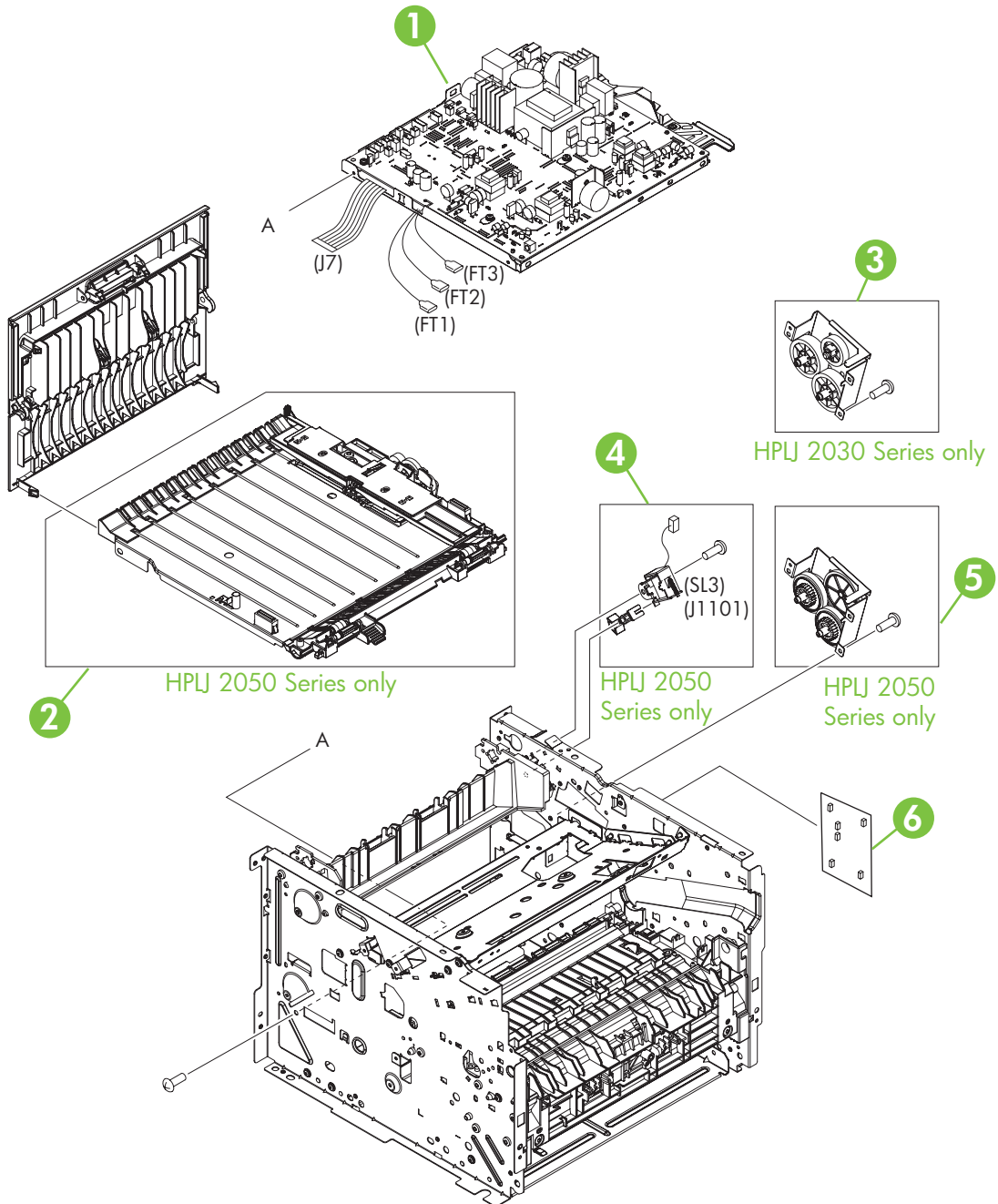


**Table 8-7 Internal components (4 of 5)**

Ref	Description	Part number	Qty
1	Fan	RK2-2727-000CN	1
2	Connecting PCA	RM1-6346-000CN	1
4	Power-switch PCA	RM1-6348-000CN	1
5	Separation-pad assembly (Tray 2)	RM1-6397-000CN	1
6	Cassette assembly (Tray 2; HP LaserJet P2035)	RM1-6446-000CN	1
6	Cassette assembly (Tray 2; HP LaserJet P2055)	RM1-6394-000CN	1
7	Roller, multipurpose pickup (Tray 1)	RM1-6394-000CN	1
8	Paper-pickup-gear assembly	RM1-4275-000CN	1
9	Solenoid (SL1; Tray 1)	RK2-2731-000CN	1
10	Switch, push (SW301; cartridge-door interlock)	WC4-5171-000CN	1

## Internal components 5 of 5

Figure 8-7 Internal components 5 of 5



**Table 8-8 Internal components (5 of 5)**

Ref	Description	Part number	Qty
1	Engine-controller unit (ECU; 110 V to 127 V)	RM1-6392-000CN	1
1	Engine-controller unit (ECU; 220 V to 240 V)	RM1-6393-000CN	1
2	Duplexing-paper-feed assembly (HP LaserJet P2055)	RM1-6346-000CN	1
3	Face-down-drive assembly (HP LaserJet P2035)	RM1-6447-000CN	1
4	Solenoid (SL3; HP LaserJet P2055)	RK2-27337-000CN	1
5	Reverse-drive assembly (HP LaserJet P2055)	RM1-6423-000CN	1
6	Formatter (HP LaserJet P2035)	CC525-60001	1
6	Formatter (HP LaserJet P2035n)	CC526-60001	1
6	Formatter (HP LaserJet P2055d)	CC527-60001	1
6	Formatter (HP LaserJet P2055dn and HP LaserJet P2055x)	CC528-60001	1